

Absolute maximum rating

Parameters	Symbol	Min.	Max.	Unit
				°
				°

Recommended operating environment

Parameter	Symbol	Min.	Typical	Max	Unit
					°

Low Speed Characteristics

Parameter	Symbol	Min.	Typical	Max	Unit



Optical characteristics





Parameter	Symbol	Min.	Typical	Max	Unit	Notes
Transmitter						
Receiver						

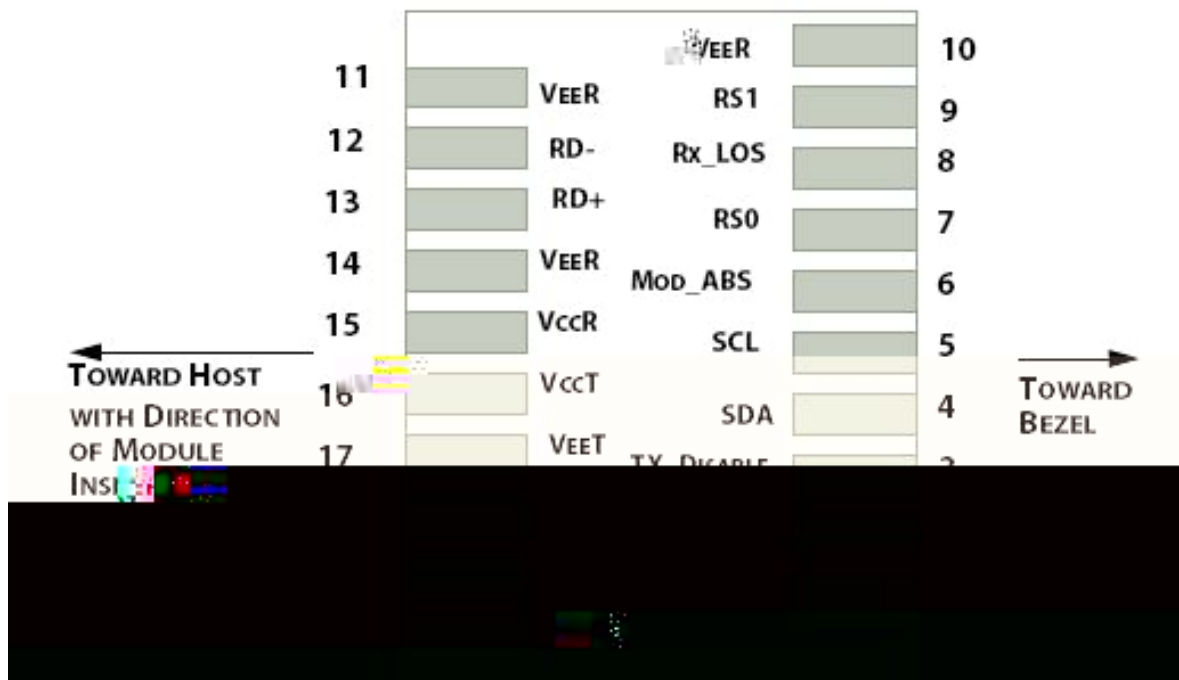


Figure 1: Interface to Host PCB

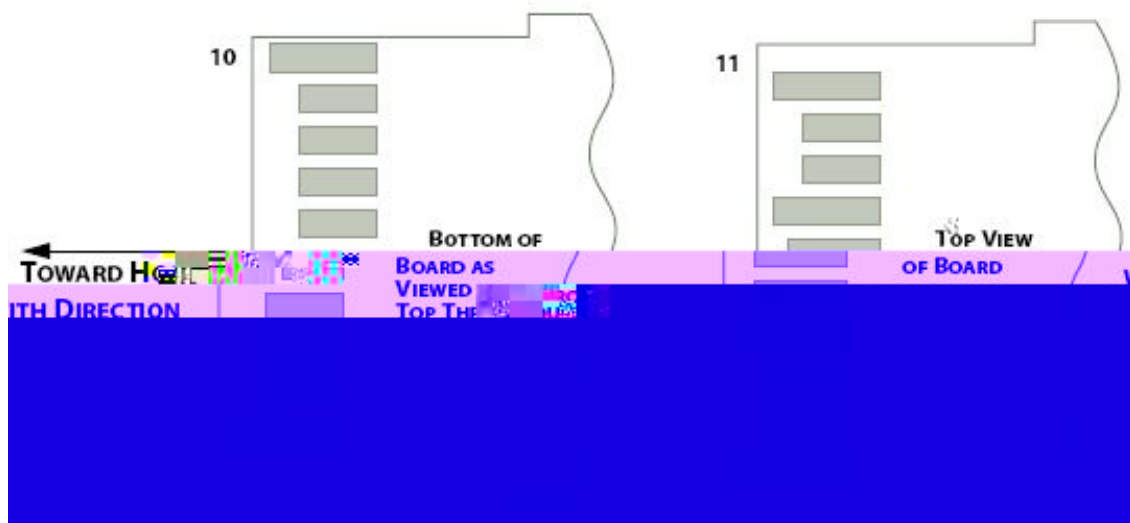


Figure 2: Module Contact Assignment

Pin definition



F-tone Networks

北亿纤通科技有限公司

F-TONE GROUP 集团旗下

北亿纤通科技有限公司

F-TONE

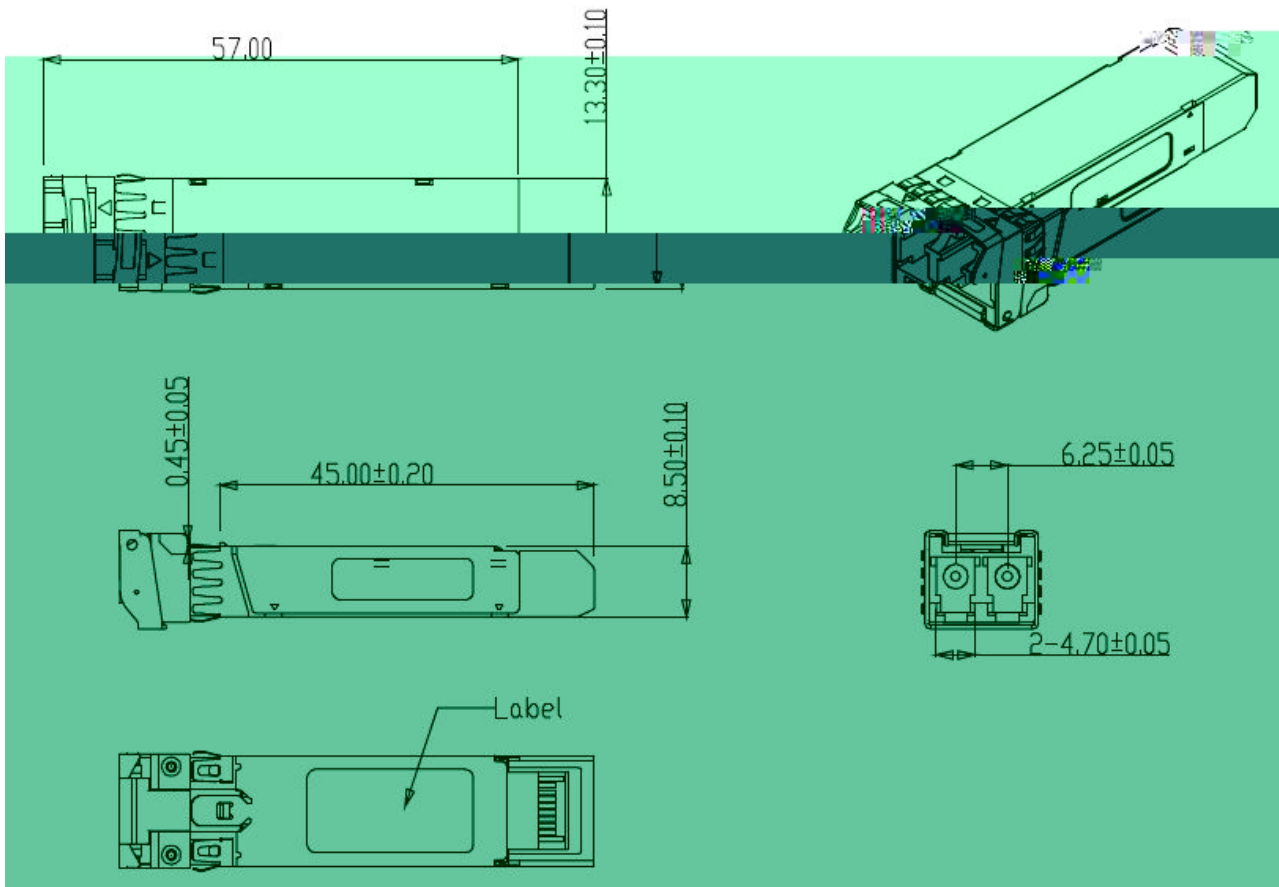


Figure5. Mechanical Specifications

Regulatory Compliance

Feature	Agency	Standard



Ordering information

Part Number	Product Description

References

Important Notice